

CAPSULE INFOSHEET

DESIGN KATERYNA SOKOLOVA



WINNER
2018

PALAU
a casala brand



CAPSULE INFOSHEET

CAPSULE INFOSHEET

casala®



The form and function of Capsule is inspired by a cocoon that guarantees security, comfort and innovation. Kateryna Sokolova designed Capsule to offer a stylish solution to the increasing need for concentration and privacy in office environments.

NL

De vorm en functie van Capsule is geïnspireerd op een cocon, welke garant staat voor geborgenheid, comfort en vernieuwing. Designer Kateryna Sokolova heeft de Capsule ontworpen om een stijlvolle oplossing te bieden voor de toenemende behoefte aan concentratie en privacy in kantooromgevingen.

DE

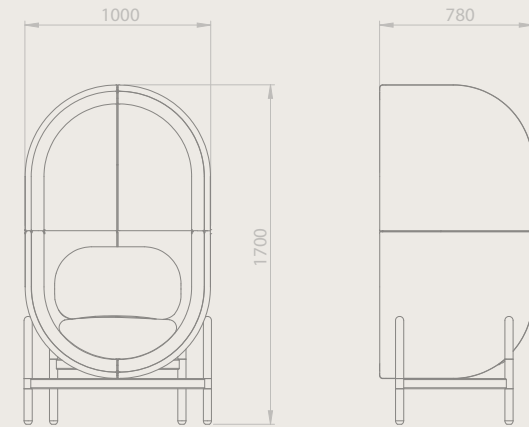
Die Form und Funktion von Capsule wurden von einem Kokon inspiriert, der Sicherheit, Komfort und Innovation garantiert. Die Designerin Kateryna Sokolova entwarf Capsule, um eine stilvolle Lösung für das wachsende Bedürfnis nach Konzentration und Privatsphäre in Büro-umgebungen zu bieten.

FR

La forme et la fonction de Capsule s'inspirent d'un cocon offrant confort, innovation et sentiment de sécurité. La designer Kateryna Sokolova a conçu le siège Capsule afin amplement aux besoins croissants de concentration et d'intimité dans les bureaux.

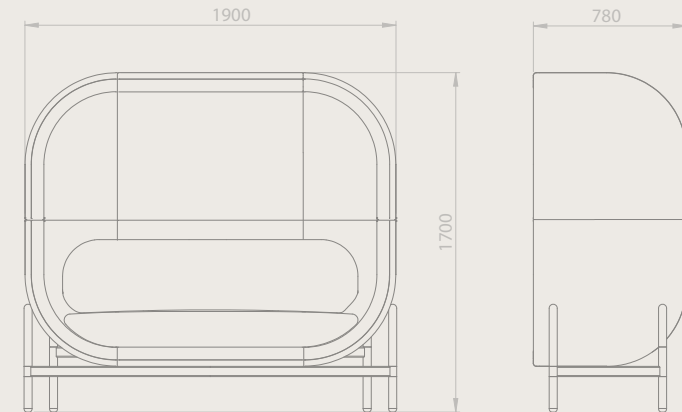
CAPSULE
1-seater

🛒 approx.: 50kg



CAPSULE
2-seater

🛒 approx.: 70kg



PALAU
a casala brand



CAPSULE INFOSHEET

UK

UPHOLSTERY

Fully upholstered including seat and back cushion; Duo upholstery with colour possible without additional price. Only available in fabric Casala Nevada.

CUSHIONS

Standard one seat and one back cushion. Cushions attached with Velcro on the inside of the Capsule.

UNDERCARRIAGE

Standard solid oak legs in lacquered S084. Steel frame standard powder coated in SFT white or SFT black. Oak legs stained in white wash or black. Other colours and finishes on request.

NL

STOFFERING

Binnenzijde, buitenzijde, zitkussen en rugkussen gestoffeerd; Duo stoffering met kleur uit dezelfde stofgroep wordt zonder meerprijs uitgevoerd. Capsule te verkrijgen in stof Casala Nevada.

KUSSENS

Standaard voorzien van één zit- en één rugkussen. Kussens bevestigd met klittenband aan de binnenkant van de Capsule.

ONDERSTEL

Standaard uitgevoerd met massief eiken poten blank gelakt in S084. Stalen frame standaard gepoedercoat in SFT wit of SFT zwart. Eiken poten gebeitst in white wash of zwart. Andere kleuren en afwerking op aanvraag.

DE

POLSTERUNG

Vollpolsterung inklusive Sitz- und Rückenkissen, zweifarbiger Bezug ist möglich, ohne Mehrpreis. Nur in Stoff Casala Nevada erhältlich.

KISSEN

Standard eins Sitzkissen und eins Rückenkissen. Die Kissen sind mit Klettverschluss an der Innenseite befestigt.

UNTERGESTELL

Standard Eiche massiv, S084 naturfarben lackiert. Stahlrahmen Standard pulverbeschichtet in SFT weiß oder SFT schwarz. Beine Eiche gebeizt in white wash oder schwarz. Andere Farben und Ausführungen auf Anfrage.

FR

TAPISSAGE

Entièrement tapissé y compris coussins d'assise et de dossier ; tapissage bicolore possible sans coût additionnel. Disponible uniquement en tissu Casala Nevada.

COUSSINS

Un coussin d'assise et un coussin de dossier en standard. Les coussins sont attachés à l'intérieur de Capsule par velcro.

STRUCTURE

Pieds en chêne massif vernis S084 en standard. Châssis en acier laqué époxy SFT White ou SFT Black. Pieds chêne teintés white wash ou noir. Autres coloris et finitions sur demande.



STANDARD OAK LEGS
BLACK POWDERCOATED FRAME

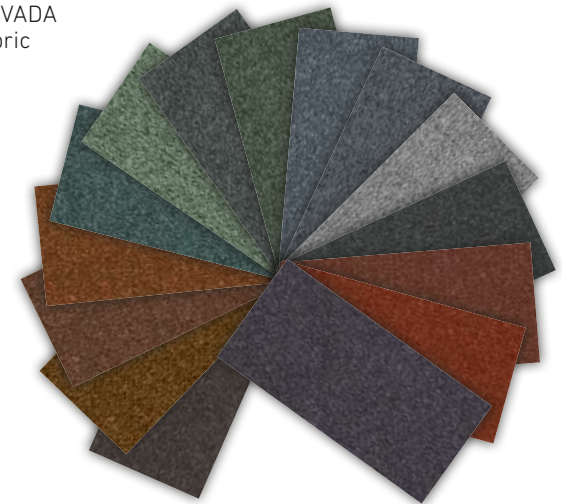


BLACK VARNISHED LEGS
BLACK POWDERCOATED FRAME



WHITE WASH OAK LEGS
WHITE POWDERCOATED FRAME

NEVADA
fabric



The colours in this publication may differ to the original product. We recommend requesting a product sample. Sample service and further information:

www.casala.com/samples

casala®

CAPSULE INFOSHEET

GENERAL INFO

CASALA GUARANTY

Casala guarantees that delivered products retain their functional properties for a period of 5 years. The warranty period commences on the date of delivery and is not interrupted, impeded or renewed when a warranty service has been provided. We can handle complaints quickly when you send a clear description together with photos, the model number, the order number and the date of manufacture to Casala. You can find this information on the production sticker under the chair or table.

CASALA CERTIFICATION

Casala continually strives to reduce the environmental impact in the development of our products. During development, care is taken to make responsible use of raw materials and production techniques. For many years Casala has been working with dedicated suppliers and producers conformed to the ISO14001 standard. This standard is used worldwide to start and assess environmental management systems. In order to ensure wood and paper products originate from responsibly managed forests, Casala encourages the use of international certifications PEFC™ and FSC®.

Casala embraces PEFC™ and FSC® as certification institutes. By integrating these standards, we are able to extract our current timber from the forests without harming the needs of future users.

Thanks to the established quality requirements and control of production processes, Casala's project furniture guarantees excellent quality, long life and durability.



CASALA FSC® CERTIFICATION: CU-COC-858146



CASALA PEFC™ CERTIFICATION: CU-PEFC-858146



CASALA CIRCULAR ECONOMY

Casala realises it is responsible for the environment and the economic and social well-being of our world and considers it important to make a structural contribution. Our objective with regard to Circular Economy is simple: successful corporate social responsibility with focus on a sustainable world. During the design phase we determine the products and materials and examine their impact and behaviour in the product chain. These choices are the basis of adequate management of products and materials. For many years Casala has been working with raw materials that mainly originated in Western Europe. The required transport kilometers are thus kept to a minimum. This contributes to the lowest possible CO-2 emissions.

Chairs are frequently discarded after use and seen as waste. This is unnecessary, as the parts are often not at the end of their life cycle. Therefore Casala chooses to refurbish various items from our product range and offers CE guarantee on multiple programs.

When purchasing new furniture, you decide in consultation with Casala whether you want to make use of the CE guarantee. Casala CE comes with an official certificate. The moment you want to replace the furniture, you can return this CE certificate. Every CE-certified product will receive a cash refund, a nice start for the purchase of new furniture. This contributes to a more sustainable world, the foundation of Circular Economy. Result: a chair with the same quality and warranty conditions as a new chair.

CASALA MAINTENANCE

You can find the general maintenance manual at:

www.casala.com/maintenance

SHOWROOMS

Casala Meubelen Nederland bv

Rolweg 10
4104 AV Culemborg
The Netherlands
+31 (0)345 51 73 88
info@casala.com

Palau

Cruquiusweg 111m
1019 AG Amsterdam
The Netherlands
+31 (0)20 463 39 80
info@palau.nl

Casala Objektmöbel GmbH

Magirusstraße 16
31867 Lauenau
Germany
+49 (0)5043 71 0
casala@casala.com

Casala Ltd

2 Sycamore Street
Clerkenwell, EC1Y 0SF
London
United Kingdom
+44 (0)20 3958 0058
sales@casala.com

Casala S.à.r.l.

54 rue du 19 Janvier
92380 Garches
France
+33 (0)1 47 10 02 22
contact@casala.com

www.casala.com