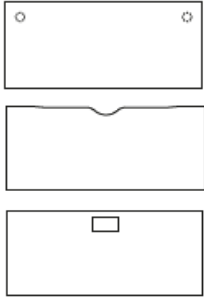
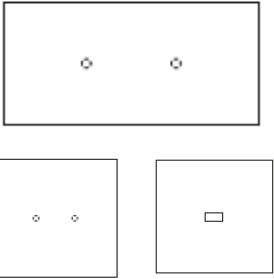


PROPERTIES

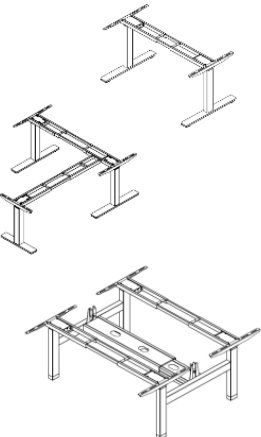
DESKS AND MEETING TABLES

WORKTOPS (general)


<p>Desk worktops</p>  <p>Meeting table worktops</p> 	<p>Melamine-covered particle board panels (25 mm thick) with an anti-reflective coating on both sides. Panel density 600 to 670 kg/m³. Flat edge banding (2 mm thick) made from a strip of glued ABS. Edge banding in same finish as worktop (except for Maritime pine N8 which comes with plywood edge banding).</p> <p>Black velvet MK: Black soft-touch matt finish with a high-quality multi-layer coating. Panel density 600 to 620 kg/m³. Black flat edge banding (1 mm thick, square edges), made from a strip of glued ABS.</p> <p>Boards originating from sustainably-managed forests (PEFC) Fire classification M3 (average flammable combustible) in accordance with standard NF EN 13501-1 Boards certified E1 (control of formaldehyde emissions) with 6.5 mg HCNO/ 100 mg and compliant with standard NF EN 717-2</p> <p>Melamine panels (except Black velvet MK) have an antibacterial surface that meets standard ISO 22196.</p> <p>Choice of cable management for the desks (see cable/power management documentation to check compatibility with chosen worktop):</p> <ul style="list-style-type: none"> > Pre-drilled at 2 points for Ø 80 mm cable ports sold as an option > With scalloped edge (central slot depth 80 mm) > With pre-cut opening for a soft-closing one-way top-access module W. 240 x D. 120 mm (sold separately) - Metal cable trough included, in same finish as legs. <p>Choice of cable management for the meeting tables: (see cable/power management documentation to check compatibility with chosen worktop):</p> <ul style="list-style-type: none"> > With pre-drilled holes in the centre (2 or 4 holes depending on worktop size) for cable ports Ø 80 mm (sold separately) > With pre-cut opening in the centre for a soft-closing dual hinged top-access module W. 316 x D. 148 mm (sold separately) Twin-compartment metal cable trough included, in same finish as legs.
--	---

INDIVIDUAL DESKS & BENCH

INDIVIDUAL DESKS AND BENCH LEGS

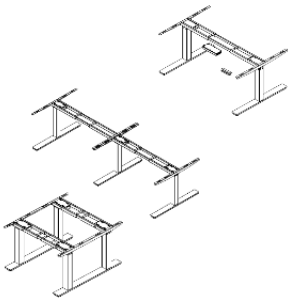

<p>STRUCTURES</p> 	<p>Structure composed of</p> <ul style="list-style-type: none"> > 2 centred legs: metal columns of rectangular section 80 x 50 mm, 3 mm thick with a socket W. 700 x 80 fitted on levelling stabilisers (adjustment travel 20 mm) <ul style="list-style-type: none"> - 2 telescopic arms for adjustment by handle, section 80 x 50 mm / 75 x 45 mm - 3 telescopic arms for motorised adjustment, section 80 x 50 mm / 75 x 45 mm / 70 x 40 mm <p>Specifics for desks with return: 3 motorised square section columns (75x75 / 70x70 / 65 x 65 mm) with socket for the smallest return column (500x80mm) so as not to disrupt passage.</p> <ul style="list-style-type: none"> > 1 structural metal, telescopic frame (2 frames for the desk with return) > 2 upper crossbeams in steel tube W. 600 x H. 40, thickness 3 mm (3 crossbeams for the desk with return) > Epoxy powder finish. Choice of 3 colours: white (RAL 9010), silver grey (RAL 9006) and black (RAL 9005) <p>> In bench version:</p> <ul style="list-style-type: none"> - Legs connected by a metal bar crossbeam W. 785 x H. 80 x D. 50 mm, 3 mm thick - ABS counter top units under the legs colour-matched with the columns - Double telescopic cable trough included between the 2 legs to allow passage of plugs and cables (cable trough H. 80 mm x D. 202 mm with perforated sliding cover for cables). Possibility of changing the sliding cover with a higher capacity cover (see specific Bench options)
--	---



<p>ADJUSTMENT SYSTEM</p> 	<p>Adjustment system by handle</p> <ul style="list-style-type: none"> > 2 telescopic arms, lower leg graduated in the individual version at an interval of 1 cm > Height adjustment from 715 to 1155 mm <ul style="list-style-type: none"> - Raising speed: 8 mm/turn - Supported weight for a work surface: 80 kg > Metal and plastic handle, aluminium grey finish > Handle extractable and removable under the worktop. Is fastened the left or right of the work surface <p>Electrical adjustment system</p> <ul style="list-style-type: none"> > 3 telescopic arms > Height adjustment from 650 to 1300 mm > 1 compact motor for each column: <ul style="list-style-type: none"> - Raising speed: 40 mm/sec (38 mm/sec for the desk with return) - Thrust force for each column: 800 N - Supported weight for a work surface: 120 kg (150 kg for the desk with return) - Sound level: 38 db maximum (50 db for the desk with return) > 1 power supply unit 100-240 V, 50/60Hz, 4A with a supply cable 2m long. Available with an EU plug or a UK plug. > In version for desk with return, cable length 50 cm is also included. It allows the control box to be connected to the foot of the return, particularly for large scale returns (600 x 1200 mm) > Power 150W for individual desk (300W for a bench and a desk with return), standby power consumption: < 0.1W > Anti-collision system built in that locks when encountering an obstacle then raises 2 cm again. > Digital display control box with 4 memories of positions on the left or right of the work surface
---	--

MEETING TABLES

LEGS FOR MEETING TABLES & ADJUSTMENT SYSTEM

<p>STRUCTURES</p> 	<p>Structure composed of</p> <ul style="list-style-type: none"> > 2, 3 or 4 centred legs (depending on the table format): metal columns of square section 75 x 75 mm, 3 mm thick. Retractable legs composed of 3 telescopic arms, section 75 x 75 / 70 x 70 / 65 x 65 mm Ends fitted on levelling stabilisers (adjustment travel 20 mm): <ul style="list-style-type: none"> - Dim: W.900 x 90 mm (rectangular tables 1000x2000 and 1200 x 2400 mm) - Dim: W. 1000 x 90 mm (square tables) > Structural and telescopic metal frames > Upper access housings of steel tube W. 900 (rectangular tables) or W. 1000 (square tables) x H. 40 (3 mm thick.) > Epoxy powder finish. Choice of 3 colours: white (RAL 9010), silver grey (RAL 9006) and black (RAL 9005)
<p>ADJUSTMENT SYSTEM</p> 	<p>Electrical adjustment system</p> <ul style="list-style-type: none"> > 3 telescopic arms > Height adjustment from 650 to 1300 mm > 1 compact motor for each column <i>Specifics for each table:</i> > Rectangular table D. 1000 x 2000 mm (2 columns) <ul style="list-style-type: none"> - Raising speed: 40 mm/sec - Thrust force for each column: 800 N - Supported weight for a worktop: 120 kg - Sound level: 38 db maximum > Rectangular table D. 1200 x 2400 mm (3 uprights) and square tables (4 uprights) <ul style="list-style-type: none"> - Raising speed: 38 mm/sec - Thrust force for each column: 800 N - Supported weight for a worktop: 150 kg - Sound level: 50 db maximum > 1 power supply unit 100-240V, 50/60Hz, 4A with supply cable 2m long. Available with an EU plug or a UK plug. > Power 150 W (300 W for table 1200x2400 mm), standby power consumption: < 0.1W > Anti-collision system built in that locks when encountering an obstacle then raises 2 cm again. > Digital display control box with 4 memories of positions



PROPERTIES

HOW TO USE THE CONTROL UNIT


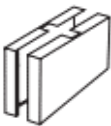
<p>RUN / REINITIALISE & SAVE POSITIONS</p>	<p>Run: > Connect up the plug, "000" will be displayed on the digital screen. The desk or table is ready to be used</p> <p>Reinitialisation: > Press "/" and "\/" simultaneously for 5s until the desk reaches its lowest position > Once you hear a "beep", the desk or the table is ready to be used. Then press on "/" and "\/" to raise and lower</p> <p>To save positions: > Raise or lower the desk (or the table) to the desired height > Press the "M" key until the screen flashes > Press the "1" key. Repeat the operation to save other positions on 2, 3 or 4 (depending on box)</p> <p>Specifics: Possibility of locking a minimum and maximum height (see user manual) !/\ If there is a problem with operation, please contact us</p>
--	--

FASTENING SYSTEM

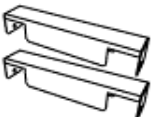
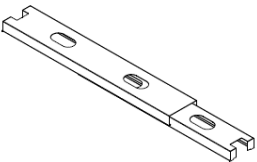
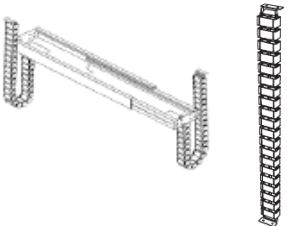
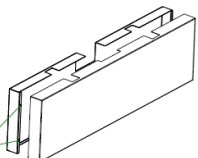
<p>FASTENING SYSTEM</p>	<p>Fastening the structure to the worktop: Fastening by screwed metal inserts making assembly and disassembly easier, and guaranteeing excellent holding force (140 kg, for each insert under test conditions)</p>
-------------------------	--

PROPERTIES

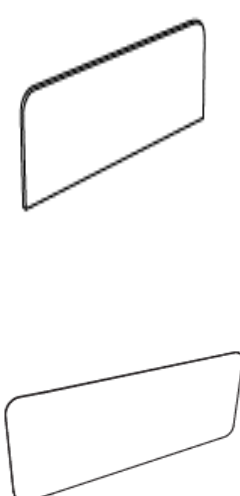
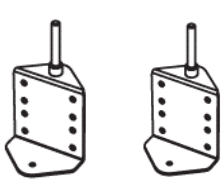
OPTIONS FOR INDIVIDUAL DESKS

	<p>Set of 4 castors (for individual desks): > 4 ABS castors with brakes, Ø 40 mm. Black shell. Grey roller bands. Suitable for all floor types. > Mounted on the underside instead of the stabiliser feet. > Castors increase the worksurface height by 30 mm. > Compatible with individual desks of D. 700 or 800 mm (for larger sizes, there is a risk of toppling).</p>
	<p>Metal cable casing > Metal with epoxy powder coating, with ABS covers on the feet > Choice of 3 colours: White (RAL 9010), Silver grey (RAL 9006) or Black (RAL 9005) > Fits around the leg uprights of individual AXEL desks > Dimensions of installed casing: W. 800 x H. 475 x D. 95 mm</p>

OPTIONS FOR BENCH DESKS


	<p>Batch of 2 spacers (motorised version) Allows a space of 3 cm to be maintained between 2 motorised Axel benches to avoid jamming fingers when the work surface is raised. > To be put on the bench structure > Dimensions of 1 spacer: W50 x H. 50 x 272 mm long</p>
	<p>High capacity cap for Bench cable trough Allows more cables and plugs to be stored. To be positioned on the cable trough at the place of the sliding cover already provided > Of metal, epoxy powder finish > Choice of 3 colours: white (RAL 9010), silver grey (RAL 9006) and black (RAL 9005) > Total height of the cable trough with high capacity cover: H. 117 mm (height of cover alone: 48 mm) > Perforations for passing cables</p>
	<p>Vertical trunking cables (not compatible with individual desks): > Of injected ABS. 20 small squares W. 68 x H. 29 x D. 36 mm connected. Total height: 1320 mm > Finishes: white SO, aluminium grey OI or black OF > Top and bottom metal plate for fastening. Is fastened by screws on the right and left between the bench cable trough (perforations under the cable trough) and worktop (woodscrews) > Extendible up to 1300 mm > Sold as a unit</p>
	<p>Metal trough > Of metal, epoxy powder finish with ABS pockets positioned at the spaces for the feet > Choice of 3 colours: white (RAL 9010), silver grey (RAL 9006) and black (RAL 9005) > To be positioned around the columns of the AXEL bench > Dimensions of fitted trough W. 1660 x H. 475 x D. 95 mm</p>

DESKTOP SCREENS FOR AXEL BENCH DESKS (See 'Desktop screens' section of catalogue for options for individual desks)

<p>DESKTOP SCREENS</p> 	<p>Specific desktop screens H. 700 mm for AXEL bench desks: 2 types of fabric covering for desktop screens: acoustic or non-acoustic. Secured to the bench using fixing clamps.</p> <p>Desktop screens specific for AXEL Bench: 3 models of desktop screens: melamine, fabric and acoustic fabric Fastened to the bench structure using fixing clamps, sold separately.</p> <p>1) Fabric desktop screens !\ Fixing clamps included Melamine-covered particle boards, thickness 25 mm, fabric-covered 2 rounded corners and 2 straight corners to the base</p> <p>2) Acoustic fabric desktop screens !\ Fixing clamps sold separately (see below) > Peripheral structure in 47 mm thick aluminium section connected by ABS rounded corners > Core made of honeycomb cardboard (made from 100% recycled fibres) 25 mm thick with 1 layer of 10 mm acoustic polyester fibre on each face > This polyester fibre foam provides the following environmental properties: > Oeko tex certified foam - certification proving the absence of products dangerous to health > Made from 85% recycled fibres > 100% recyclable > Foam with B-s1.d0 fire response (Euroclasses according to EN 13501-1 equivalent to class M1) > Fabric covering (see fabric shade card)</p> <p>The acoustic desktop screen absorbs +/- 50% of sound disturbance Acoustic benefit available achieved by the laboratory CEDIA Liège - Consult us</p>
	<p>Fixing clamps for acoustic desktop screens</p> <p>> Steel sheet clamps 3 mm thick fitted on a metal ring Ø 16 mm, Dim. W. 100 x H. 109 mm. Fastening by screw in the structure. In same finish as the structure: White SO, Aluminium grey SA or Black SG. > Clamps sold in batches of 2</p>

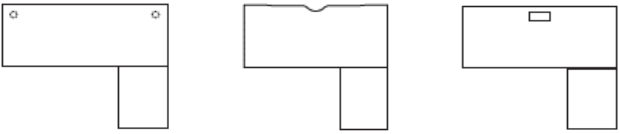


DIMENSIONS

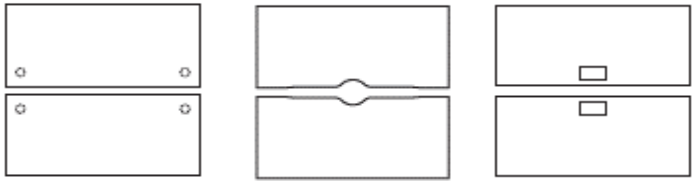
OVERALL DIMENSIONS (in mm)			
INDIVIDUAL DESKS			
	RECTANGULAR (cable ports, scalloped edge, top access housing)		
Depth	700	800*	900**
Width	1200 / 1400 / 1600	1200 / 1400 / 1600 / 1800 / 2000	1800 / 2000
Adjustment range (handle)	715 to 1155 (745 to 1185 with castors)		
Adjustment range (electric)	650 to 1300 (680 to 1330 with castors)		

* Travel of width 2000 in scalloped edge version
 ** Depth 900 available only for cable ports version

DIMENSIONS

INDIVIDUAL DESKS WITH RETURN			
	RECTANGULAR WORKTOPS WITH RETURN (cable ports, scalloped edge, top access housing)		
Depth	1600 / 2000 (Rt 600x800/1200)		
Width	1400 / 1600 / 1800 / 2000*		
Adjustment range (electric)	from 650 to 1300		



* Travel of width 2000 in scalloped edge version

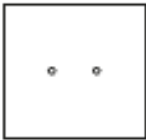
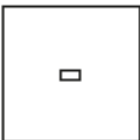
BENCH DESKS			
	RECTANGULAR (cable ports, scalloped edge, top access housing)		
Depth	1665		
Width	1200 / 1400 / 1600 / 1800 / 2000*		
Adjustment range (handle)	from 715 to 1155		
Adjustment range (electric)	from 650 to 1300		

* Travel of width 2000 in scalloped edge version



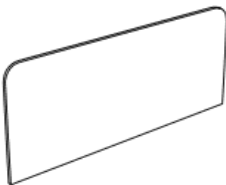
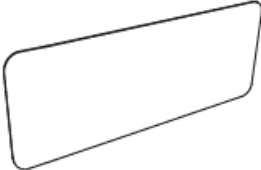
DIMENSIONS

OVERALL DIMENSIONS (in mm)		
RECTANGULAR MEETING TABLES		
	RECTANGULAR (with cable ports)	RECTANGULAR (with cable ports)
Depth	1000	1200
Width	2000	2400
Adjustment range (electric)	from 650 to 1300	

SQUARE MEETING TABLES		
	SQUARE (with cable ports or top-access module*)	
Depth	1400	1600
Width	1400	1600
Adjustment range (electric)	from 650 to 1300	

*For meeting tables with a pre-cut opening for a top-access module, order the DUAL HINGED top-access module.

DESKTOP SCREENS FOR AXEL BENCH DESKS

OVERALL DIMENSIONS (in mm)		
DESKTOP SCREENS		
	NON-ACOUSTIC FABRIC	ACOUSTIC FABRIC
Thickness	25	47
Width	1200 / 1400 / 1600 / 1800	1178 / 1378 / 1578 / 1778
Height	700	
Screen height when installed on AXEL bench desk	1177 (Clamps included)	1206 (Clamps sold separately)

